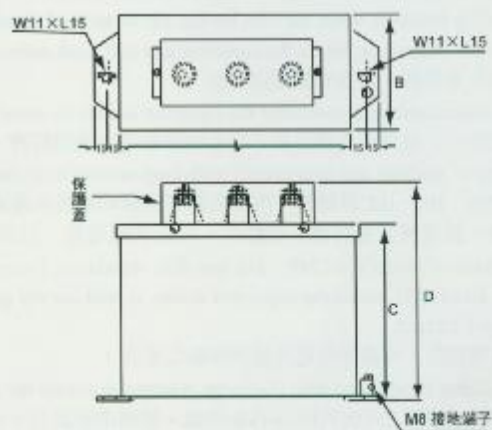


# 低壓乾式防爆型電容器

## DRY TYPE AND EXPLOSION PROOF CAPACITOR

具有順序保護功能，可靠安全性特高，即藉蛭石的可壓縮性和耐火性，而達到確保安全的目的。  
Provide sequence protection with highest reliability and safety, that is to confirm security by the fireproof and compressible function of vermiculites.



外觀尺寸 (DIAGRAM OF DIMENSION)